

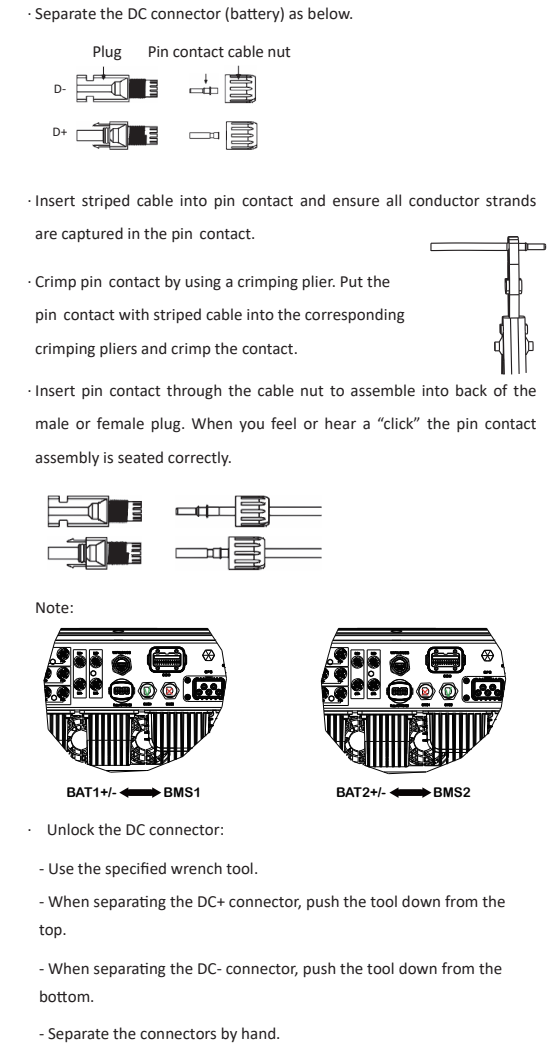
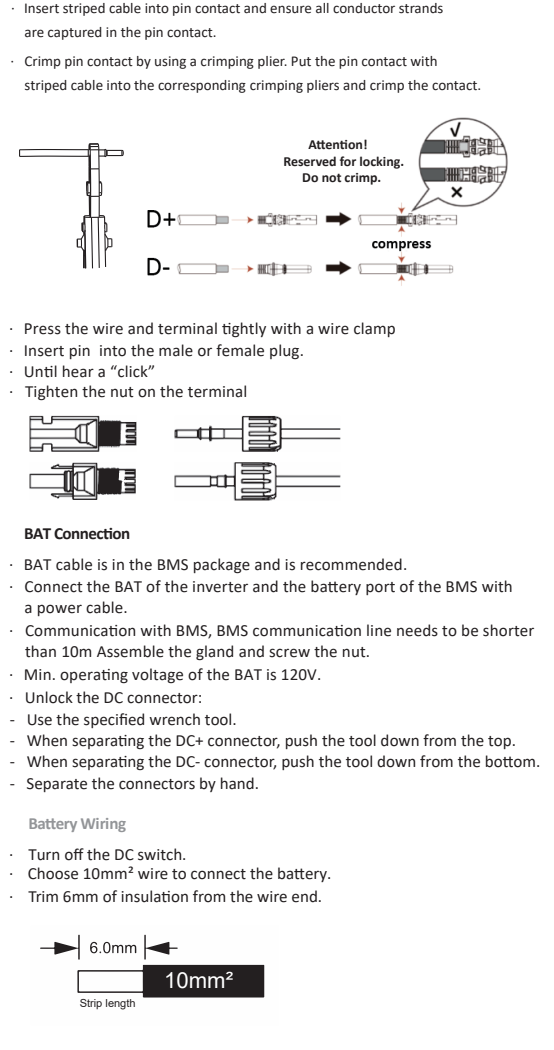
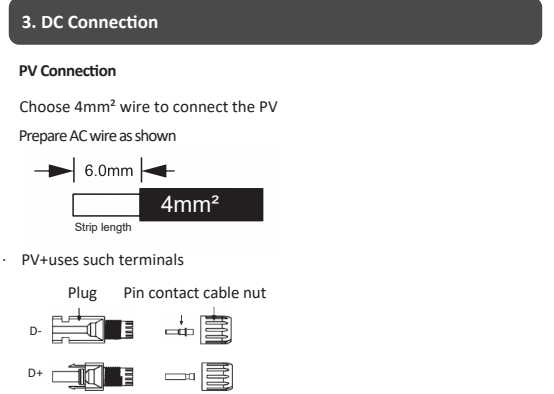
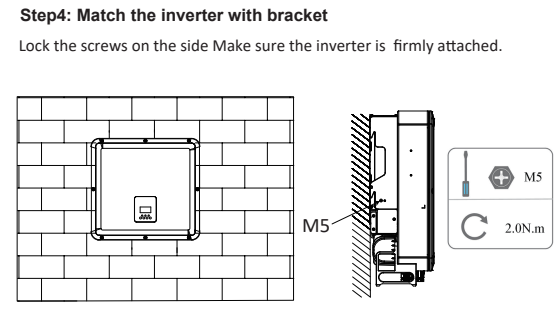
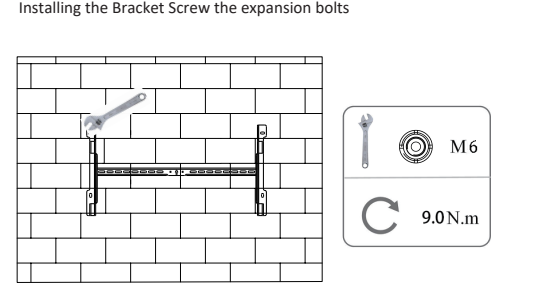
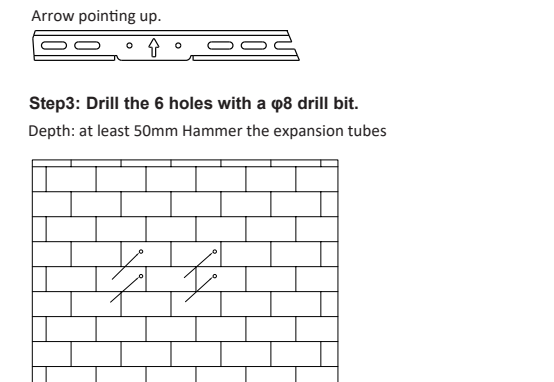
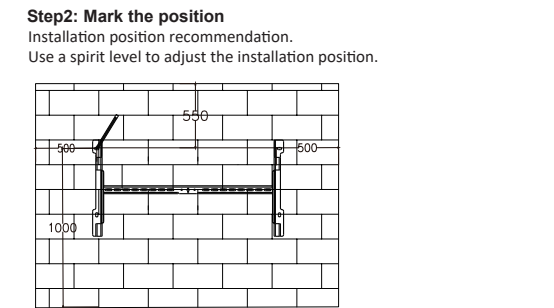
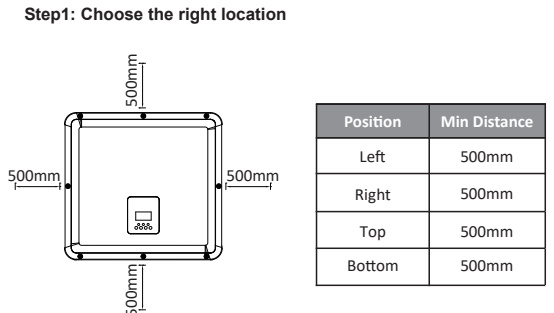
**Quick Installation Guide** 10-30kW Storage Inverter

**1. Packing List**

Object	Quantity	Description	Object	Quantity	Description
A	1	Inverter	J	1	WiFi/LAN/GPRS (Optional)
B	1	Bracket	K	1	Meter
C	6/12	PV connectors (Only for H3-Pro) (3*positive, 3*negative) (H3-Pro 10-12KW) (6*positive, 6*negative) (H3-Pro 15-30KW)	L	1	Hexagonal screw M4*16
D	6/12	PV pin contacts (Only for H3-Pro) (3*positive, 3*negative) (H3-Pro 10-12KW) (6*positive, 6*negative) (H3-Pro 15-30KW)	M	4	Battery connectors (2*positive, 2*negative)
E	1	AC connectors-EPS	N	4	Battery pin contacts (2*positive, 2*negative)
F	4	Expansion tubes & Expansion screws	O	1	Hexagonal screw M5*10 grounding screw
G	1	Earth terminal	P	1	COM1-12PIN
H	1	AC connectors-Grid	Q	1	COM2-24PIN
I	1	Quick installation guide	R	1	GRID Outer Snap Mechanical Lock

**2. Installation Steps**

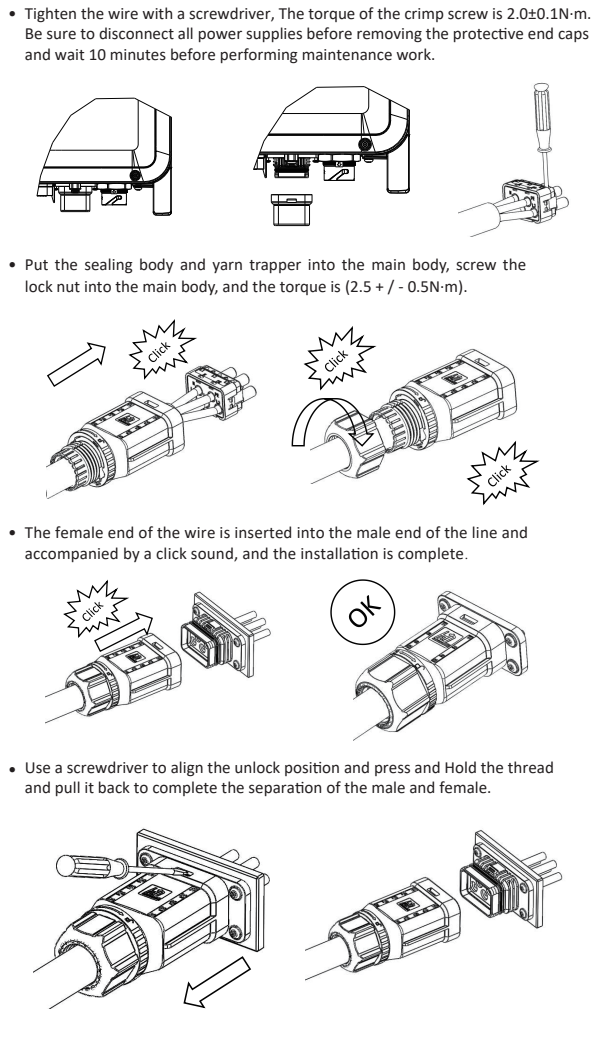
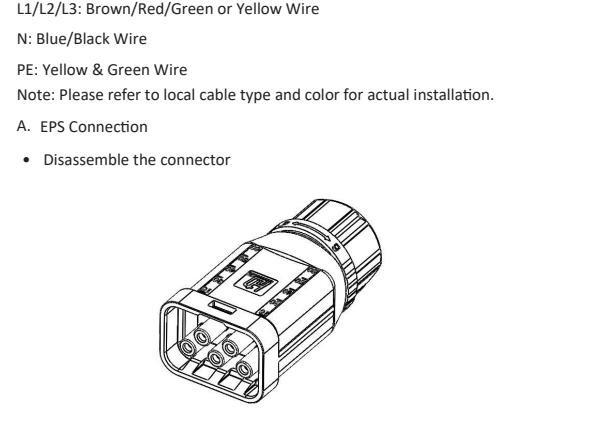
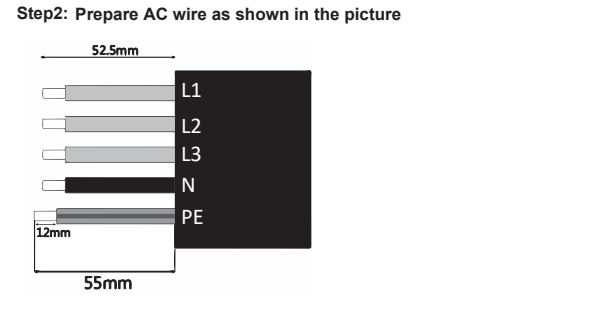
Please make sure the inverter will be installed with a proper distance as shown below.



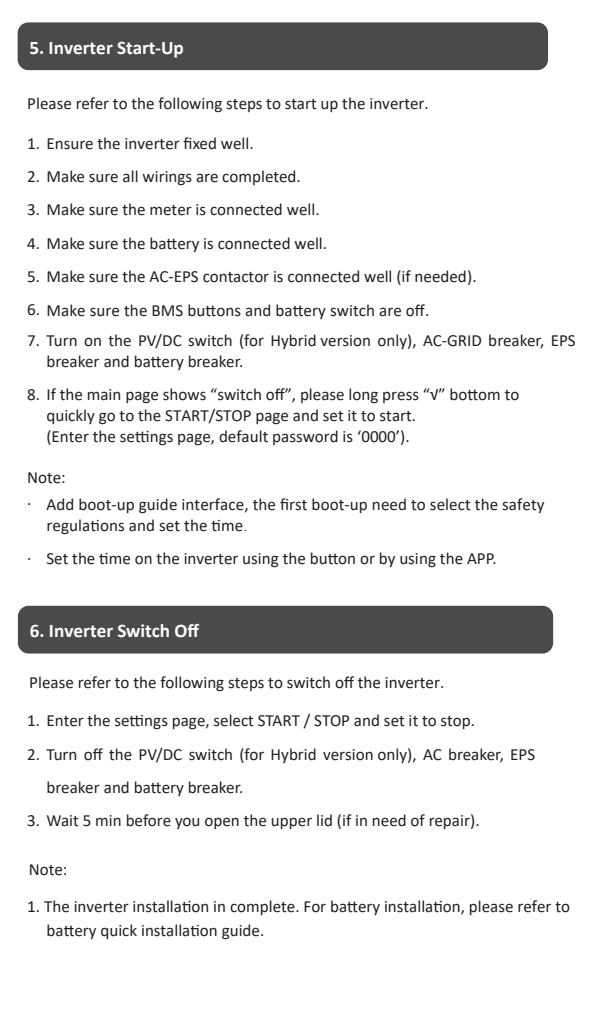
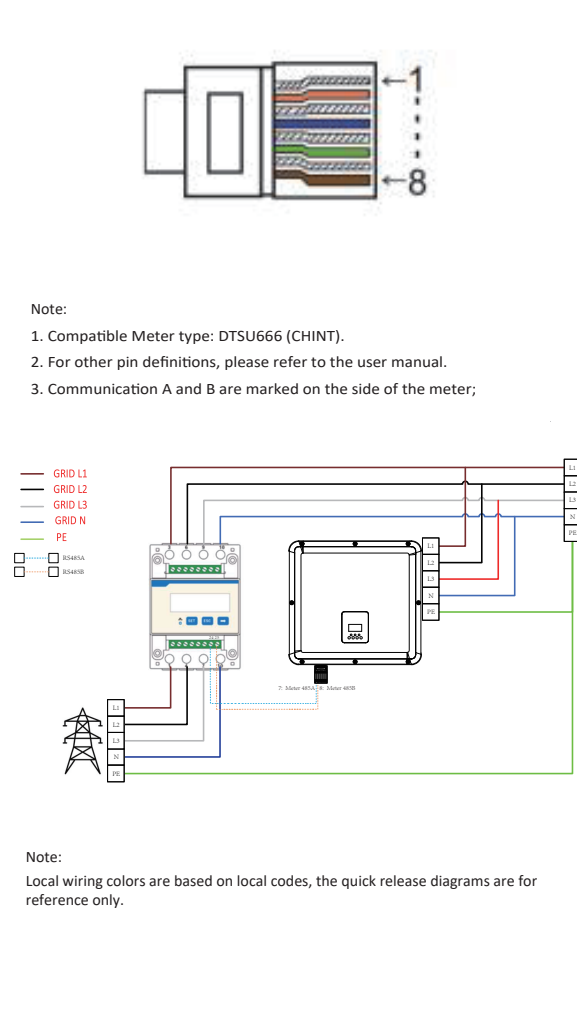
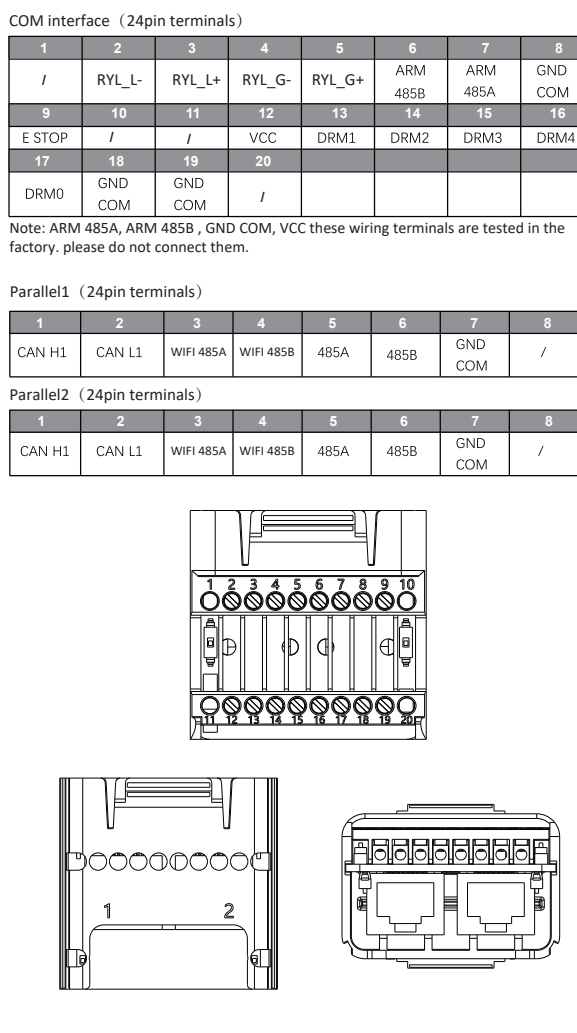
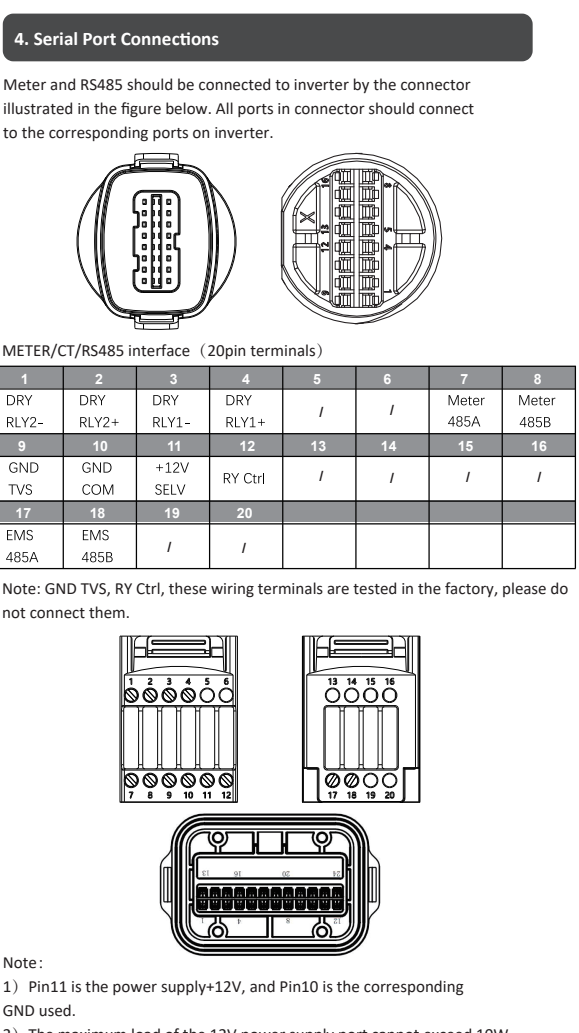
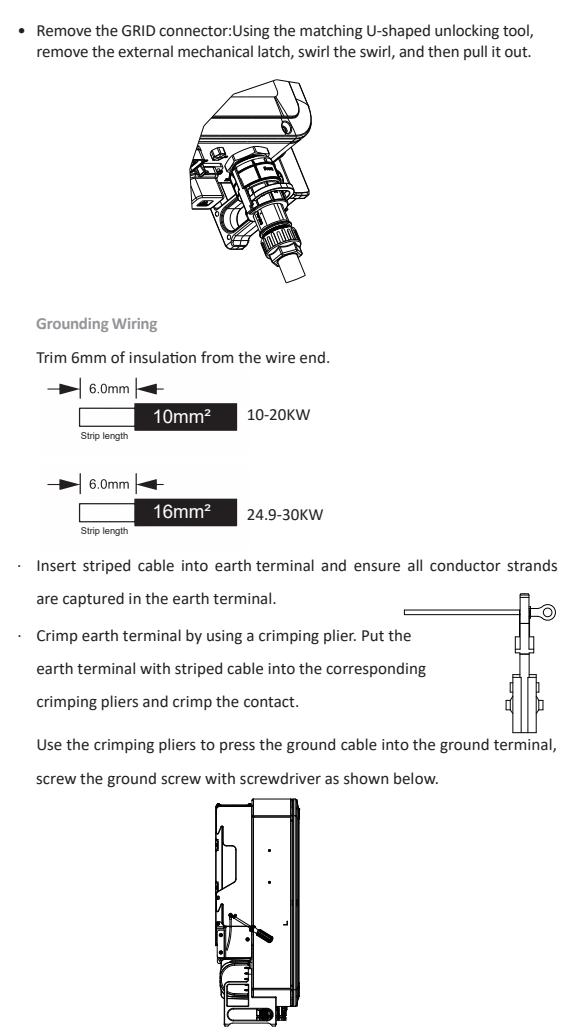
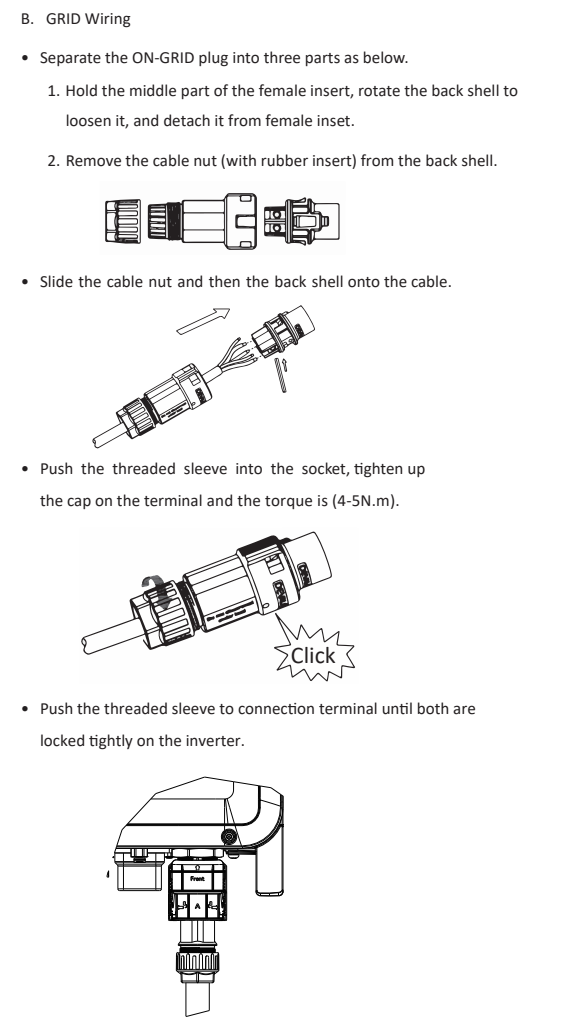
**AC Connection**

**Step1: Cable dimensions**

Modell (kW)	10.0	12.0	15.0	20.0-22.0	24.9-25.0	29.9-30.0
Cable (ON-GRID)	6.0-10.0mm²	6.0-10.0mm²	6.0-10.0mm²	10.0-16.0mm²	10.0-16.0mm²	10.0-16.0mm²
Micro-Breaker	40A	40A	50A	63A	63A	80A
Modell (kW)	10.0	12.0	15.0	20.0-22.0	24.9-25.0	29.9-30.0
Cable (EPS)	6.0-10.0mm²	6.0-10.0mm²	6.0-10.0mm²	10.0mm²	10.0mm²	10.0mm²
Micro-Breaker	40A	40A	50A	63A	63A	80A



# H3 PRO QUICK INSTALLATION GUIDE



Please scan the QR Code and follow the steps below to download our latest multi-language User Manual/Quick Installation Guide:  
Scan the QR Code → Select your Language → Choose to download User Manual or Quick Installation Guide → Download

